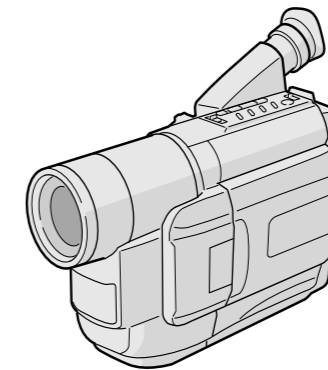


JVC

SERVICE MANUAL

COMPACT VHS CAMCORDER

GR-SXM27EA, SXM77EA



DIC
DIGITAL
STILL CAMERA

S-VHS VHS
PAL
625

Super VHS
Super VHS ET

Regarding service information other than these sections, refer to the GR-SXM607EG service manual (No. 86589). Also, be sure to note important safety precautions provided in the service manual.

SPECIFICATIONS *(The specifications shown pertain specifically to the model GR-SXM77EA)*

Camcorder	
General	
Format	: S-VHS/VHS PAL standard
Power source	: DC 11 V $\overline{\text{---}}$ (Using AC Adapter) DC 6 V $\overline{\text{---}}$ (Using battery pack)
Power consumption	
Viewfinder on	: 4.7 W
LCD monitor on	: 5.4 W
Video light	: 3.0 W
Signal system	: PAL-type
Video recording system	
Luminance	: FM recording
Colour	: Converted sub-carrier direct recording Conforms to VHS standard
Cassette	: S-VHS / VHS cassette
Tape speed	
SP	: 23.39 mm/sec.
LP	: 11.70 mm/sec.
Recording time (max.)	
SP	: 60 minutes
LP	: 120 minutes (with EC-60 cassette)
D.S.C. format	
Recording format	: Digital data storage (based on JPEG)
Recording medium	: Built-in flash memory, 2.Mbyte
Number of storable shots	
FINE mode	: approx. 30 shots
STANDARD mode	: approx. 60 shots
Image size	: 640 x 480 pixels (when captured on a PC)
Operating temperature	: 0°C to 40°C
Operating humidity	: 35% to 80%
Storage temperature	: -20°C to 50°C
Weight	: 930 g
Dimensions (W x H x D)	: 200 mm x 112 mm x 118 mm (with the LCD monitor closed and with the viewfinder full tilted downward)
Pickup	: 1/4" format CCD
Lens	: F1.6, f = 3.9 mm to 62.4 mm, 16:1 power zoom lens with auto iris and macro control, filter diameter 40.5 mm
Viewfinder	: Electronic viewfinder with 0.5" black/white CRT
White balance adjustment	: Auto/Manual adjustment
LCD monitor	: 3" diagonally measured, LCD panel/TFT active matrix system
Speaker	: Monaural
Connectors	
JLIP/EDIT	: ϕ 3.5 mm, 4-pole, mini-head jack (compatible with RC-5325 plug)
Video	: 1 V (p-p), 75 Ω unbalanced, analogue output (via Video output connector)
Audio	: 300 mV (rms), 1 k Ω analogue output (via Audio output connector)
Digital	: ϕ 2.5 mm, 4-pole, mini-head jack
S-Video	: Y: 1 V (p-p), 75 Ω , analogue output C: 0.29 V (p-p), 75 Ω , analogue output
AC Adapter AP-V10A	
Power requirement	: AC 110 V to 240 V \sim , 50 Hz/60 Hz
Output	: DC 11 V $\overline{\text{---}}$, 1 A
Dimensions (W x H x D)	: 59 mm x 31 mm x 84 mm
Weight	: Approx. 140 g (not including Power Cord)
Optional Accessories	
• Battery Packs BN-V12U, BN-V20U, BN-V400U	
• Compact S-VHS (S-VHS) Cassettes SE-C45/30	
• Compact VHS (VHS) Cassettes EC-60/45/30	
• Remote Control Unit RM-V700U	
• Active Carrying Bag CB-V7U	
Some accessories are not available in some areas. Please consult your nearest JVC dealer for details on accessories and their availability.	

Specifications shown are for SP mode unless otherwise indicated. E & O.E. Design and specifications subject to change without notice.

JVC

VICTOR COMPANY OF JAPAN, LIMITED
VIDEO DIVISION

S40894

TABLE OF CONTENTS

DIFFERENT TABLE	1 to 2
4. CHARTS AND DIAGRAMS	
4.1 BOARD INTERCONNECTIONS	4-1
4.2 CPU SCHEMATIC DIAGRAM	4-3
4.3 DSP SCHEMATIC DIAGRAM	4-4
4.4 REGULATOR SCHEMATIC DIAGRAM	4-5
4.5 DSC SCHEMATIC DIAGRAM	4-7
4.6 MAIN CIRCUIT BOARD	4-9
4.7 DSC CIRCUIT BOARD	4-15
5. PARTS LIST	
5.1 PACKING AND ACCESSORY ASSEMBLY <M1>	5-1
5.2 FINAL ASSEMBLY <M2>	5-3
5.3 ELECTRICAL PARTS LIST	
MAIN BOARD ASSEMBLY <01>	5-6
DSC BOARD ASSEMBLY <08>	5-13

The following table indicate main different points between models GR-SXM607EG, SXM77EA and GR-SXM27EA.

ITEM \ MODEL	GR-SXM607EG	GR-SXM77EA	GR-SXM27EA
AC ADAPTER	AP-V10EG	AP-V10EA	AP-V10EA
BATTERY PACK	BN-V20BU	BN-V11U	BN-V11U
CASSETTE ADAPTER	Not used	Used	Used
DSC	Not used	Used	Not used
LCD MONITOR	3"	3"	2.5"
PC CONNECTION CABLE	Optional	Provided	Optional
REMOTE CONTROL UNIT	RM-V715U	RM-V716U	Not used

The following table indicate different parts number between models GR-SXM607EG, SXM77EA and GR-SXM27EA.

PACKING AND ACCESSORY ASSEMBLY <M1> Note: As for IB (INSTRUCTIONS), refer to sec. 5.

REF. NO.	ITEM \ MODEL	GR-SXM607EG	GR-SXM77EA	GR-SXM27EA
1	PACKING CASE	LY32179-004A	LY32179-005A	LY32179-004A
7	WARRANTY CARD	BT-54013-1	BT-56001-2	←
△ 9	POWER CORD	QMPL120-190-JR	QMPH020-190-JR	←
△ 10	AC ADAPTER	LY20688-001A	LY20688-007A	←
△ 11	BATTERY PACK	LY31199-001A	YQ10629E	←
13	SER.NET CARD	—	BT-56002-2	←
14	CORE FILTER	QQR0491-002,X4	QQR0491-002,X5	QQR0491-002,X4
16	REMOTE CONTROL UNIT	LY42129-001A	LY20543-002A	—
17	AAA(R03)BATTERY,X2	Used	Used	—
18	ADAPTER PLUG	QAM0302-001	—	—
21	CASSETTE ADAPTER	—	YQ31963A-3 or YQ31963B-3	←
22	AA(R6)BATTERY	Not used	Used	Used
24	SOFT WARE PERM.	—	YU30843-4	—
25	CABLE ASSY(EDITING)	—	PEAC0428-150	—
26	PC CONNECTION CABLE	—	QAM0084-001	—
27	CD ROM	—	LY32210-007A	—
28	POLY BAG	—	LY30023-010A	—
29	SHEET(INSTALL)	—	LYT0309-004A	—
30	SHEET(AGREEMENT)	—	LYT0378-003A	—
31	SPACER(PACKING)	—	LY43032-001A	—

Note: Mark — is not used. Mark ← is same as left.

FINAL ASSEMBLY <M2>

REF. NO.	MODEL		GR-SXM607EG	GR-SXM77EA	GR-SXM27EA
	ITEM				
101	LOWER CASE ASSY		LY20684-008A	LY20684-009A	LY20684-008A
101F	SCREW		* QYSLSF2060D	QYSLSF2050Z	←
102	COVER(JACK)		* LY31945-001B	LY31945-001C	←
106	UPPER CASE(M)		LY10257-001A	LY10257-011A	LY10257-010A
109	TOP OPE UNIT		LY20614-002B	LY20614-005B	LY20614-002B
111	REAR UNIT		LY20615-001A	←	LY20615-004A
114	STICKER(D)		LY32061-001A	LY32061-004A	LY32061-001A
115	SCREW		* QYSLSF2060D,X5	QYSLSF2060D,X4	←
121	SCREW,X3		* QYSLSF2060D	QYSLSF2050Z	←
136	SCREW/SPECIAL SCREW		* QYSLSF2060D	LY42981-001A	←
154	HOLDER(DSC P.)		-	LY20645-001A	-
155	SCREW		-	QYSLSF2060D	-
156	FPC(DSC)ASSY		-	LY42875-001A	-
156A	S.SHEET(DSC FPC)		-	LY42876-001A	-
157	INSULATER		-	YU40341	-

MONITOR ASSEMBLY <M5>

REF. NO.	MODEL		GR-SXM607EG	GR-SXM77EA	GR-SXM27EA
	ITEM				
△ 500	MONITOR ASSY		LYH20217-001A	LYH20217-003A	LYH20217-002A
△ 501	M.COVER ASSY		LY20679-001A	LY20679-006A	LY20679-002A
501B	WINDOW		LY32022-004A	LY32022-002A	←
502	M.CASE(3/2.5)ASSY		LY32035-001A	←	LY32036-001A
515	HOLDER(3/2.5PWB)		LY20647-001A	←	LY20672-001B
519	BACK LIGHT		QLL0094-001	←	QLL0093-001
520	LCD MODULE		QLD0118-001	←	QLD0176-001

MAIN BOARD ASSEMBLY <01>

REF. NO.	MODEL		GR-SXM607EG	GR-SXM77EA	GR-SXM27EA
	ITEM				
PW	MAIN BOARD ASSY		YB10310EB-01	YB10310EZ-02	YB10310EY-02

MONITOR BOARD ASSEMBLY <07>

REF. NO.	MODEL		GR-SXM607EG	GR-SXM77EA	GR-SXM27EA
	ITEM				
PW	MONITOR BOARD ASSY		YB20900A-01	←	YB20900B-01
R7511,R7512	MG RESISTOR		NRSA63J-223X	←	-
R7513	MG RESISTOR		-	-	NRSA63J-103X
R7514	MG RESISTOR		NRSA63J-333X	←	-
R7515	MG RESISTOR		NRSA63J-562X	←	NRSA63J-302X
C7510	CAPACITOR		NCB31EK-103X	←	-

DSC BOARD ASSEMBLY <08>

REF. NO.	MODEL		GR-SXM607EG	GR-SXM77EA	GR-SXM27EA
	ITEM				
PW	DSC BOARD ASSY		-	YB20898A	-

Note: Mark - is not used. Mark ← is same as left. Mark * reference model was also changed.